



Installation Instructions

Page 1 of 6

November 2005

Accessories, Interior Lighting

Ver 1.0

Accessory
Development

SUBJECT

MINI COOPER INTERIOR LIGHTING KIT ORANGE – P/N 63 31 0 407 074
MINI COOPER INTERIOR LIGHTING KIT BLUE – P/N 63 31 0 406 753

MODEL

Cooper Coupe (R50):	All vehicle production
Cooper-S Coupe (R53):	All vehicle production
Convertible (R52):	All vehicle production

SUGGESTED INSTALLATION TIME: 1.5 HOURS

The instructions below are developed for MINI vehicles and are not to be compared to any other existing instructions for vehicles other than MINI. No methods other than those specified in this document are to be used for installation in MINI vehicles. Left and right are determined from the driver's seat.

Carefully read all instructions and supplements before proceeding with the installation. Reference should be made to TIS for instructions dealing with a stock part of the vehicle but not stated in detail in these instructions.

The instructions were complete and up to date at time of publication; however, changes to the vehicle or installation may have occurred. Please report any problems or changes noted with the installation to BMW Technical Hotline, along with VIN, date of manufacture and as much detail as possible.

★ ★ DO IT RIGHT THE FIRST TIME, ON TIME, EVERY TIME ★ ★

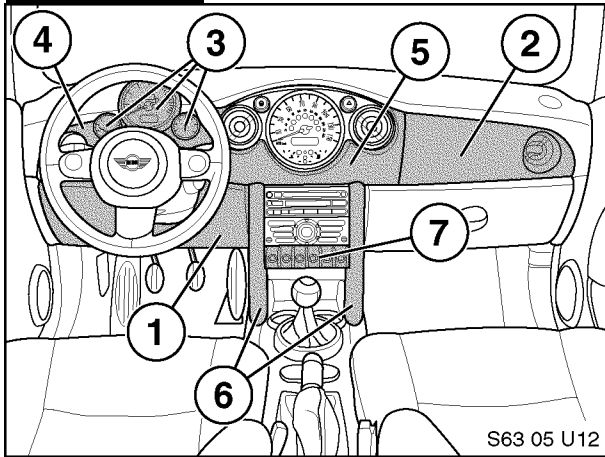
Installation Instruction P/N 01 29 0 410 881

MINI, a division of BMW of North America, LLC

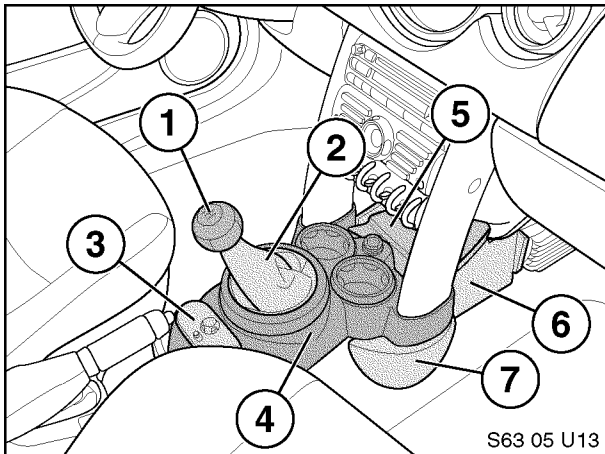
© 2005 BMW of North America, LLC

PARTS INFORMATION**Contents of Orange Kit – P/N 63 31 0 407 074****Contents of Blue Kit – P/N 63 31 0 406 753**

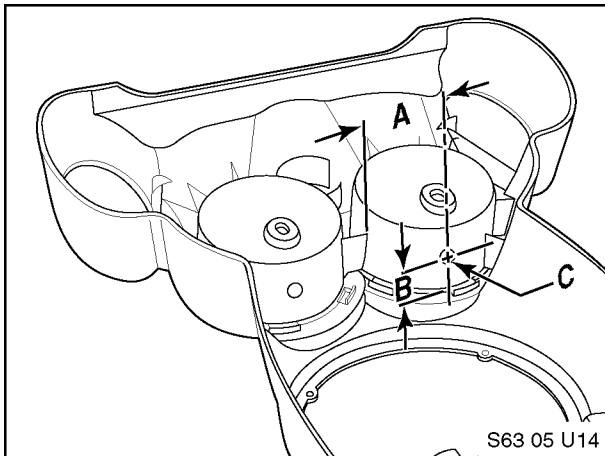
Description	Qty	MINI Part Number
Main Power Harness	1	N/A
Cup Holder Light Harness	1	N/A
Cup Holder Light Covers	2	N/A
LED Tube Harness	1	N/A
LED Tube	1	N/A
LED Tube Clips	2	N/A
LED Tube Clip Screws	2	N/A
Light Kit Switch	1	N/A
Foam Pads	4	N/A
Light Kit Instruction Card	1	N/A

PROCEDURE:

1. Disconnect vehicle battery.
2. Remove the following components per TIS:
 - Driver's knee bolster (1)
 - Right dash trim (2)
 - Steering column gauges (3)
 - Left dash trim (4), center dash trim (5)
 - Radio side pillars (6)
 - Center console switch unit (7).



4. Remove the following components per TIS:
 - Shift knob (1)
 - Shift knob boot (2)
 - Power mirror switch (3)
 - Cup holder console (4)
 - Trim pad (5)
 - Lower center under dash panel (6)
 - Center console mounting plate (7)

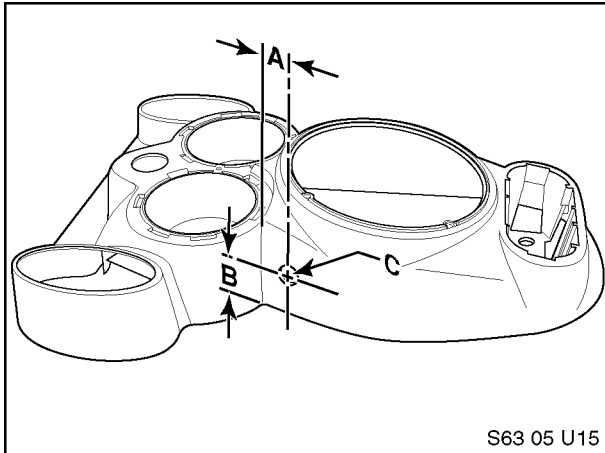


3. Drill a 9/32" hole in each cup holder in locations as shown.

A = 1 1/2" (35mm)

B = 3/4" (20mm)

C = 9/32"



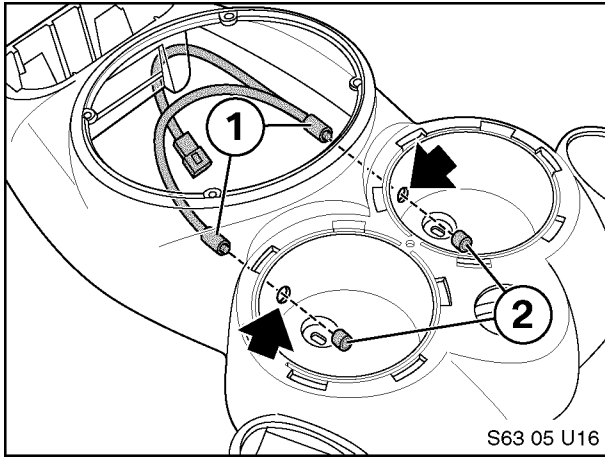
4. Drill a 1/2" hole on the left side of the cup holder/shifter console as shown.

A = 3/4" (20mm)

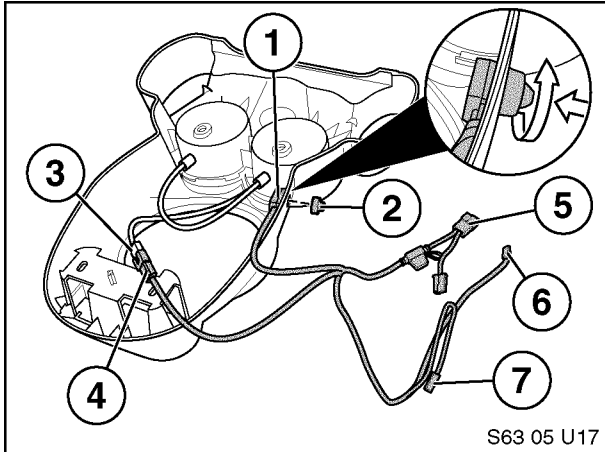
B = 1" (25mm)

C = 1/2"

4



5. From the inside, insert clear cover light caps (2) and from the outside insert cup holder lights (1) as indicated by black arrows.



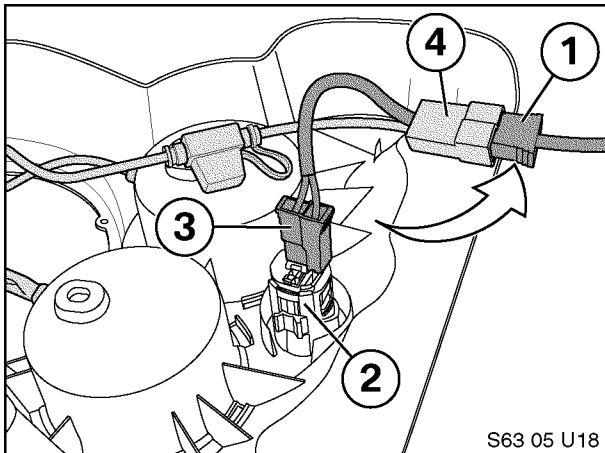
6. Insert switch (1) thru and then secure with rubber switch (2) by pushing and turning at the same time.

Note: Ensure the switch is properly threaded.

7. Connect short power harness (4) to cup holder light harness (3).

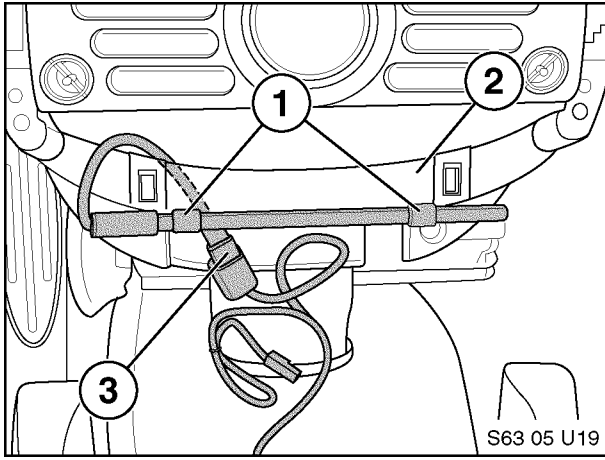
Note: Female white connector (5) of main power harness and LED power harness connector (6).

Note: Extra connector tied back for optional lighting (7).



8. Connect the black lighter connector **X9320** from the vehicle (1) and plug it into the white connector (4) of the interior lighting kit power harness.
9. Connect the connector (3) of the power harness and connect it to the lighter (2).
10. Secure the loose harness to the underside of the cup holder console using foam pads included in kit.

5

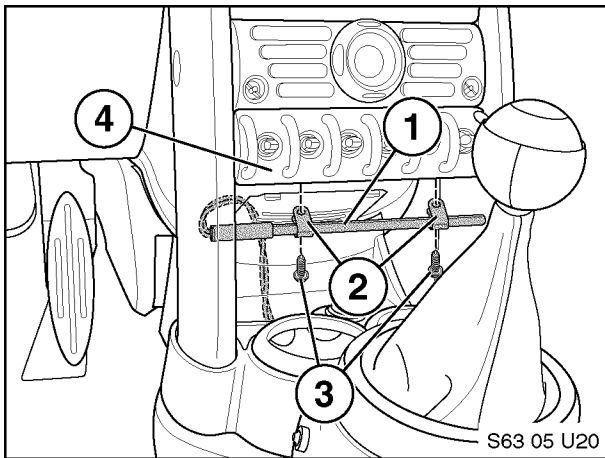


11. Route harness from the cup holder console, to the lower center under dash, up by the plastic vent, and thru a space of the center console switch unit (2) and the radio side pillar.

12. Connect LED tube harness to the main power harness (3).

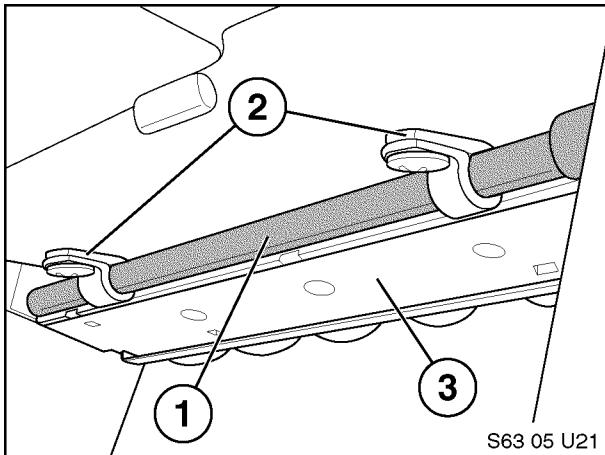
Note: There will be 1 unused connector that will be wire tied to the main harness for optional LED lighting.

Note: Plastic clips (1) should be mounted on the flattest surface of the lower console edge.



13. Mount small LED tube (1) under the center console switch unit (4) using supplied clips (2) and screws (3).

Note: Radio side pillars are shown to ensure proper centering of LED tube.



Note: Ensure the LED tube clear side (1) is facing away from the edge of the center console switch unit (3) and the plastic clips (2) are secured properly.

14. Reconnect the battery. Test the light kit. Reinstall all components removed during installation.

Installation is complete.

RETROFIT CODING

There is no retrofit coding required for this installation.